

A

Wood Type	Install Torque	Recommended Thread Engagement
<ul style="list-style-type: none"> • Hardwood • Softwood • Engineered 	0.56N.M 5.0 in-lb	19mm/ 0.75in

1

2

B

1

2

3

C

K-Slot

1

2

K-Slot

3

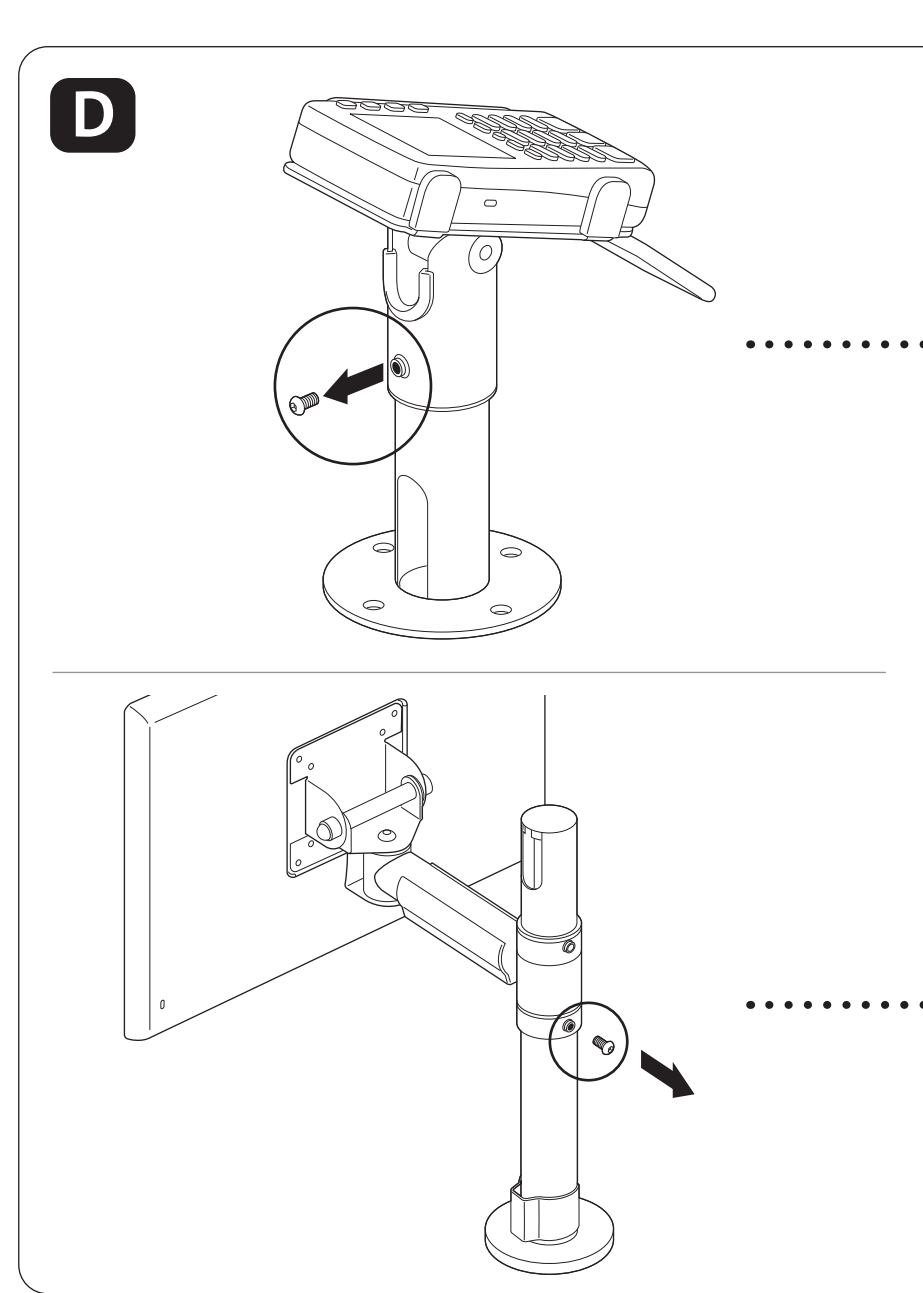
4

1

2

3

4



1

2

3

1

2

1

2

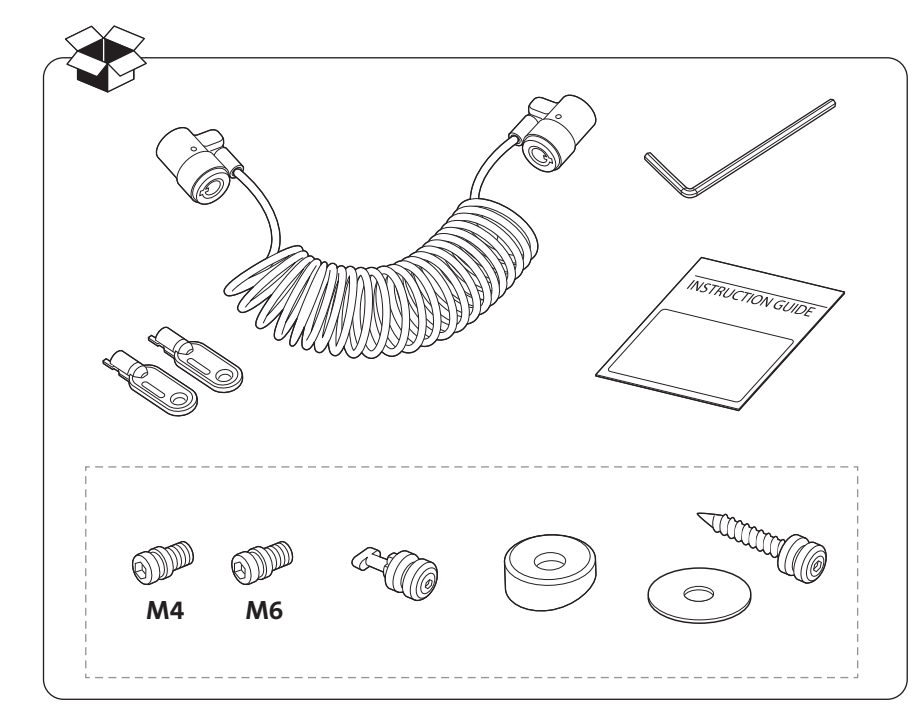
3

Register & Retrieve:
www.spacepoleregisterandretrieve.com/

SpacePole®
 mounting
SpacePole® Dual Lock
 with ClickSafe® Technology

INSTRUCTION GUIDE
 GUIDE D'INSTRUCTIONS
 BEDIENUNGSANLEITUNG
 HANDLEIDING
 MANUALE DI ISTRUZIONI
 MANUAL DE INSTRUCCIONES

HASZNÁLATI ÚTMUTATÓ
 PŘÍRUČKA S POKYNY
 INSTRUKCJA OBSŁUGI
 РУКОВОДСТВО ПОЛЬЗОВАТЕЛЯ
 MANUAL DE INSTRUÇÕES



SpacePole is a registered trademark of Ergonomic Solutions. ClickSafe is a registered trademark of ACCO Brands Corporation. This product is covered by US Pat. Nos. 6,081,974; 6,317,936; 6,360,405; 7,897,126; 7,963,132 owned by ACCO Brands, Corporation. Other patents pending worldwide. 9913

For technical support visit:
 Four foot support technique
 visit our website:
<http://www.ergonomic-solutions.net>

Ergonomic Solutions Manufacturing
 Skovhovedvej 29
 9400 Nørreumby
 Denmark
info@ergonomic-solutions.dk

K64914EU 901-2540-03